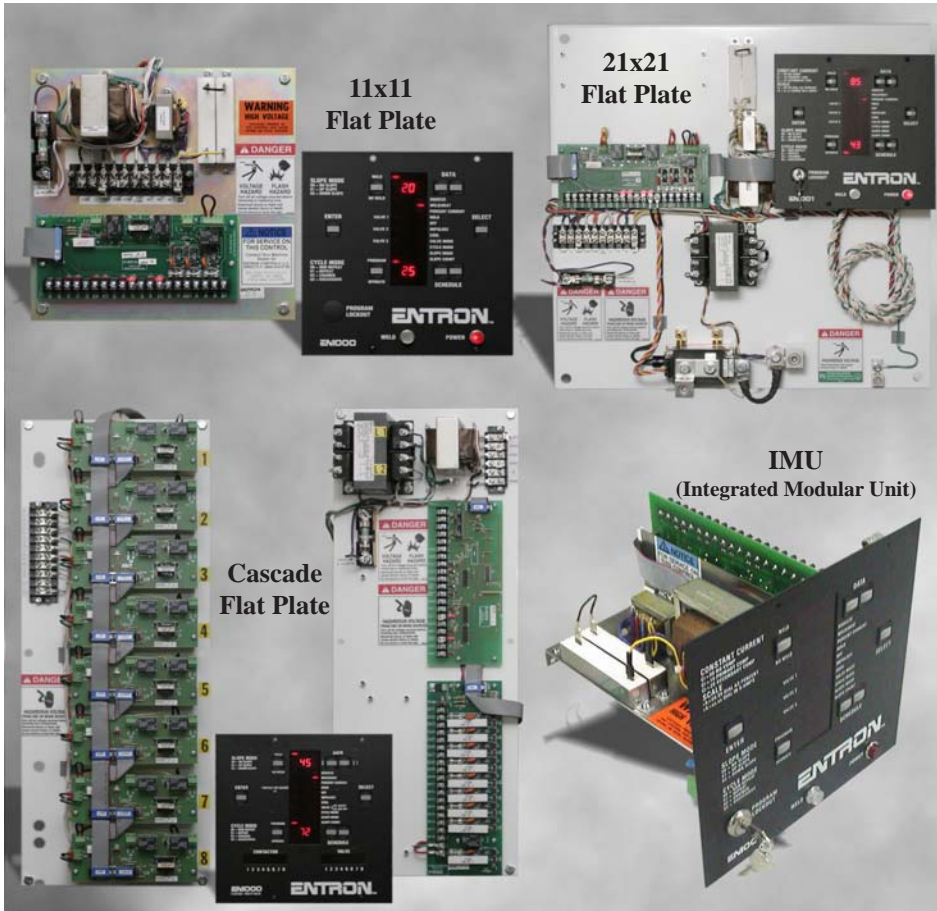


ENTRON™

FLAT PLATE CONTROLS



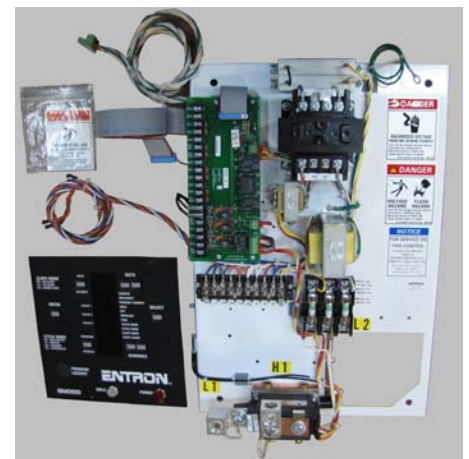
- *Use in Retrofit, New, or Custom Designs*
- *Keeps Shipping Costs Economical* – Use in situations where shipping weight is a factor.
- *Customize Designs to Match Existing Systems*
- *Low Cost*
- *Easily Serviced*
- *Multiple Options Available*
- *No Need to Replace Primary Wiring, Disconnect, and SCRs*
- *Replaces “Works in a Drawer” Chassis in Older European Machines*
- *Include Weld Control as Part of Machine Cabinet*

Features

- Standard ENTRON product in component form
- Various ENTRON models available
- Four basic design choices
- Use to retrofit older ENTRON controls to current technology
- Use to retrofit competitor’s controls to current ENTRON technology; complete with special hardware and precautionary labeling

Capabilities

- Multiple configurations allow integration into various machine types and styles
- Single contactor controls
- Multiple contactor controls
- Cascade Flat Plate designed to ease retrofit of older ENTRON controls
- Fires certain special SCR assemblies with integrated pulse transformer



13x19 Flat Plate

SCR Contactors available at discount when ordered with Flat Plate Control

Exclusive ENTRON two year warranty

Available Models

- EN1000
- EN1000 Cascade
- EN1001
- EN1001 Cascade
- EN1500
- EN2000

Options

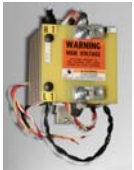
- Primary Coil
– P2, P5, P10



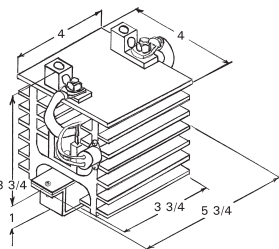
- Secondary Coil
– S6, S10

- RS232/485
- Pressure Control System (IPSC)
- Schedule Select (S49 or S99)
- Remote Data Entry (RDEjr.)
- Remote Terminal (RT4jr.)
- Memory Modules (MM2 or MM8)
- DC Valves
- Valve Select 1 of 7
- Terminal Strip Skip (TSS)
- Spanish Dial Plate Overlays

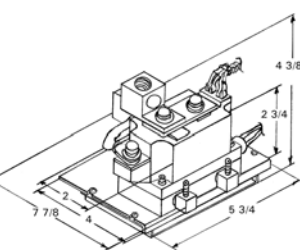
Available SCR Contactor Assemblies For External Mounting



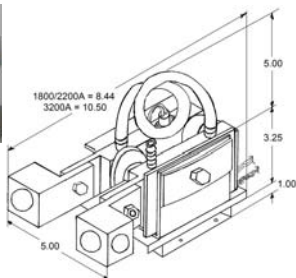
EN(X)-150 or
EN(X)-300



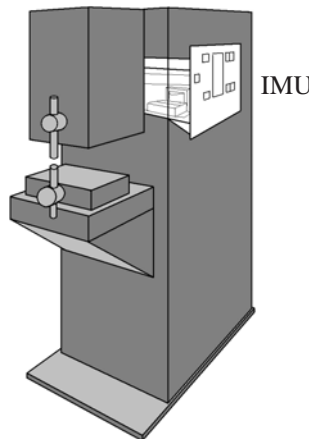
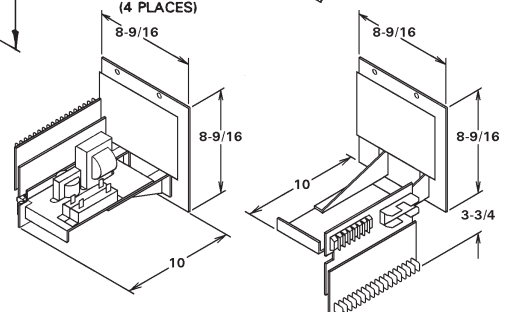
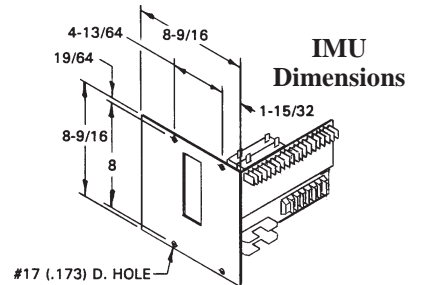
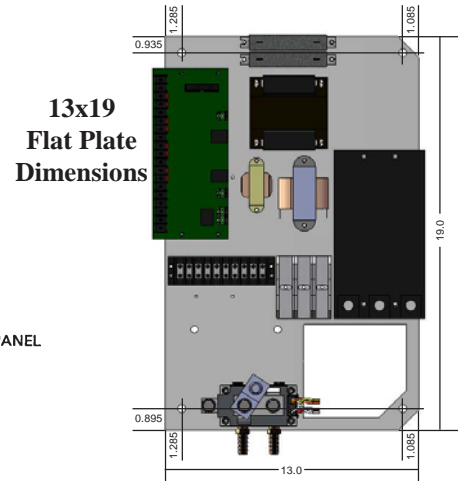
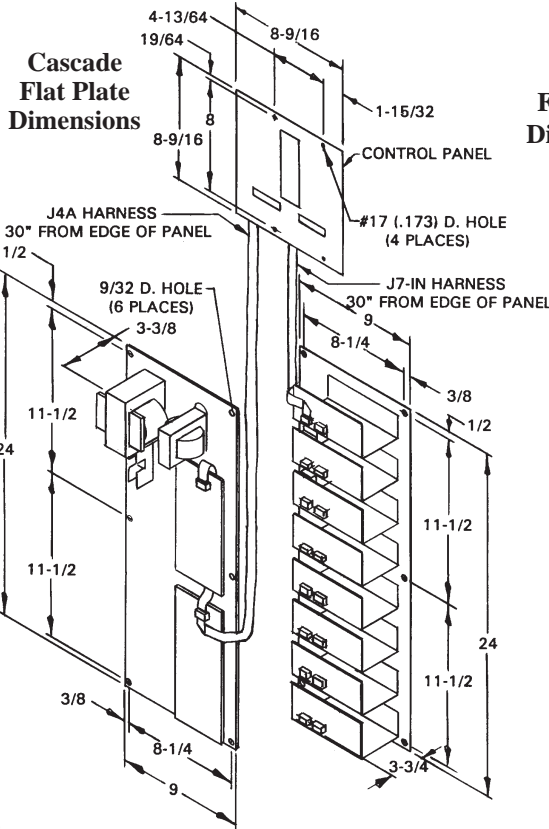
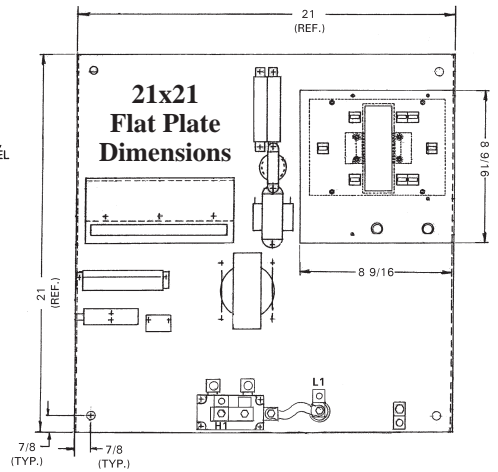
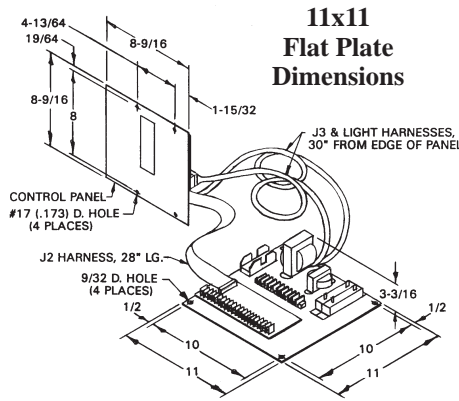
EN(X)-1200



EN(X)-1800,
EN(X)-2200
or EN(X)-3200



Distributed by:



ENTRON™

ENTRON Controls, LLC.
1402 S. Batesville Road
Greer, SC 29650
(864) 416-0190
FAX (864) 416-0195
www.entroncontrols.com
e-mail: info@entroncontrols.com

RWMA
MEMBER